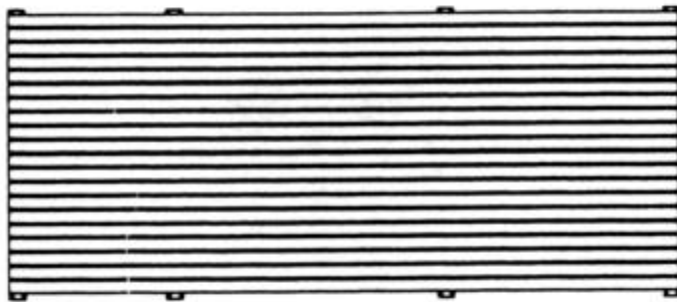
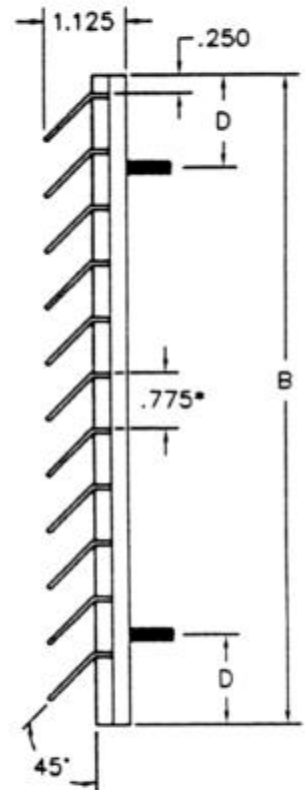
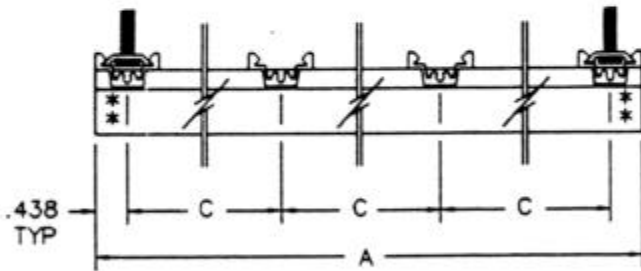


HART & COOLEY, INC.

SUBMITTAL SHEET FOR: 45° ARCHITECTURAL/ DECORATIVE LOUVER EXTRUDED ALUMINUM; 6063-T5; CLEAR ANODIZED OR _____

AEL-45



FACE VIEW FOR ILLUSTRATION PURPOSES ONLY

A=AS REQUIRED, NOT TO EXCEED 190 INCHES; SPECIFY: _____
 B=AS REQUIRED, NOT TO EXCEED 96 INCHES; SPECIFY: _____
 C=AS REQUIRED, NOT TO EXCEED 16 INCHES; SPECIFY: _____
 D=AS REQUIRED, IF REQUIRED; SPECIFY: _____

OPTIONS:

FRAMES OF CHOICE-SEE FRAME SUBMITTAL SHEET

- * 1" BLADE SPACING
- ** EXTERIOR MOUNTING HOLES AS REQUIRED

AR90117A
 REV. (A) 7/3/96

JOB: _____ ARCHITECT: _____ ENGINEER: _____ CONTRACTOR: _____ LOCATION: _____	FINISH: _____ SUBMITTED BY _____
---	-------------------------------------