



Governale®

GOVERNALE COMPANY, INC.

PRODUCTS

CONTACT

OUR COMMITMENT

HISTORY

HOME

Gov Board Gov Ray Gov Free Victoria GKS Convector Heating Products

Governale provides **individual, attentive and prompt service** from a staff that is **knowledgeable and friendly.**

Call - 718-272-2300

Governale Company, Inc.
788 Williams Ave.
Brooklyn, NY 11207

718-272-2300
718-272-3776 fax





Governale[®]

GOVERNALE COMPANY, INC.

[PRODUCTS](#)

[CONTACT](#)

[OUR COMMITMENT](#)

[HISTORY](#)

[HOME](#)

[Gov Board](#)

[Gov Ray](#)

[Gov Free](#)

[Victoria](#)

[GKS](#)

[Convectors](#)

[Heating Products](#)

GOV-FREE

Freestanding Cast Iron Radiators

Gov-Free traditional radiators offer updated styling and trim lines.

They are available in several standard dimensions and can be assembled with any number of sections. Gov-Free is suitable for both residential and commercial applications. This radiant heat - combined with convected heat - provides a warm comfortable environment. It shields outside walls and windows to stop cold air from infiltrating.



[Dimensions](#)

[Ratings](#)

[Heat Emissions](#)

Dimensions

Size	A	B and C	D	E	F	H
4x19	15-7/16"	4-7/16"	2-1/2"	1-1/16"	19"	17-13/16"
4x25	21-7/16"	4-7/16"	2-1/2"	1-1/16"	25"	23-13/16"
6x25	21-7-16"	6-15/16"	2-1/2"	1-1/16"	25"	23-13/16"

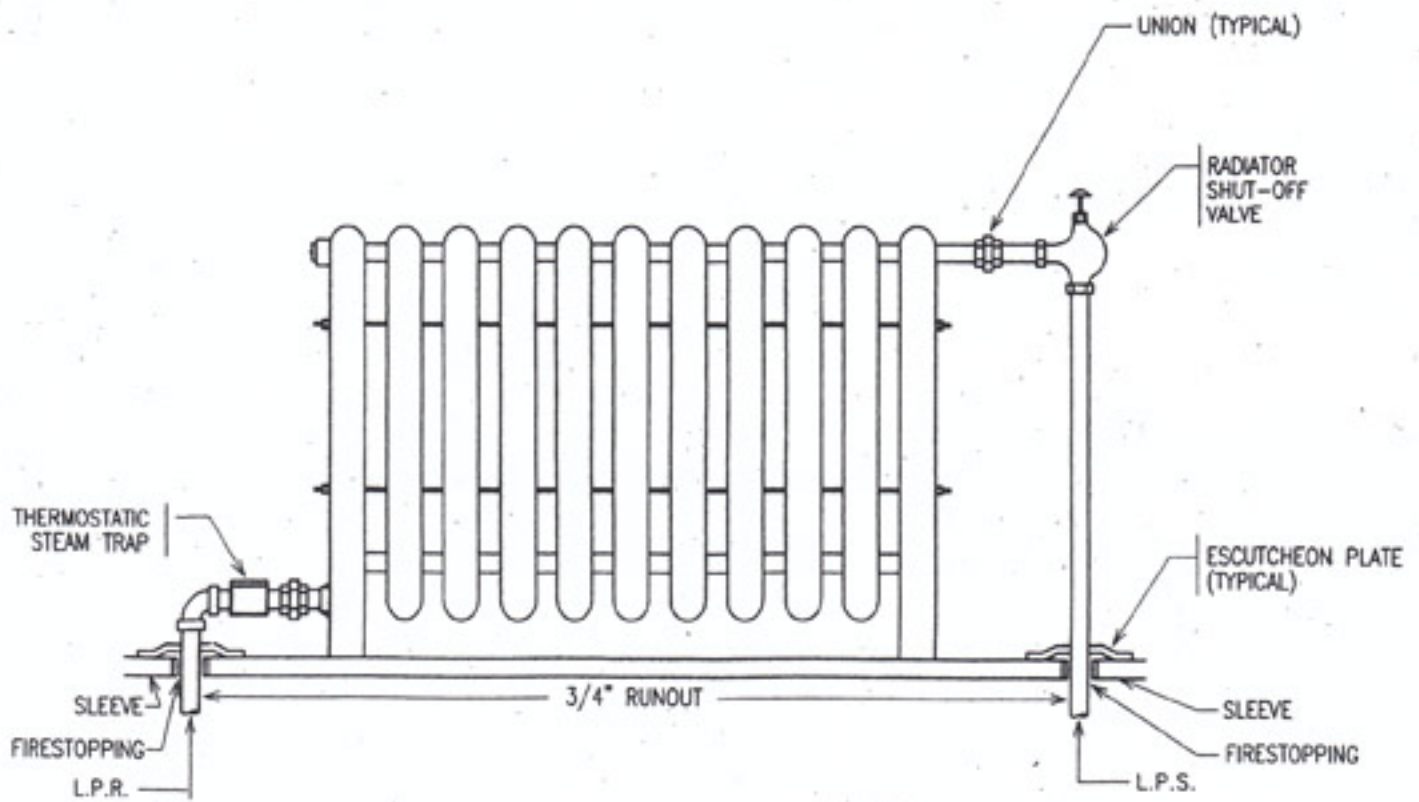


6	10 1/2"	9.6	12	18
8	14"	12.8	16	24
10	17 1/2"	16.0	20	30
12	21"	19.2	24	36
14	24 1/2"	22.4	28	42
16	28"	25.6	32	48
18	31 1/2"	28.8	36	54
20	35"	32.0	40	60
22	38 1/2"	35.2	44	66
24	42"	38.4	48	72
26	45 1/2"	41.6	52	78
28	49"	44.8	56	84
30	52 1/2"	48.0	60	90
32	56"	51.2	64	96
34	59 1/2"	54.4	68	102
36	63"	57.6	72	108
38	66 1/2"	60.8	76	114
40	70"	64.0	80	120
42	73 1/2"	67.2	84	126
44	77"	70.4	88	132
46	80 1/2"	73.6	92	138
48	84"	76.8	96	144
50	87 1/2"	80.0	100	150
52	91"	83.2	104	156
54	94 1/2"	86.4	108	162
56	98"	89.6	112	168

[back to top of page](#)

**Table of Heat Emissions
For Various Average Hot Water Temperatures**

<i>Av. water temp. in radiator</i>	220	215	210	200	190	180	170	160	150
Heat emission BTU per sq. ft.	250	240	230	210	190	170	150	130	110



CAST IRON STEAM RADIATOR DETAIL
 NOT TO SCALE

STEAM RADIATORS

**The
stylish
alternative
to bulky
cast iron!**



STEAMRADIATORS

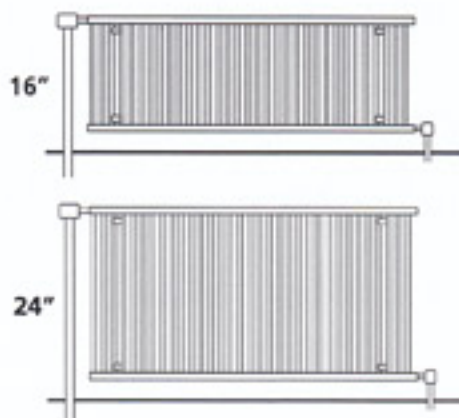
P.O. Box 8287
Ward Hill, MA 01835
Tel: 978-373-1942
Fax: 978-372-1466
Toll-Free: 800-966-0587
www.steamradiators.com
E-Mail: sales@steamradiators.com

Style: Sleek 2½" profile. Available in two heights (16" and 24") and five lengths (24", 36", 48", 60", and 72")

Immediate Delivery: Available for immediate delivery in white. Hundreds of colors are available by special order.

Quick and Easy Installation: The Steamview is made for both one pipe and two pipe steam systems. Single piece construction, continuous mounting, individual wrapping and tagging, and uniform fittings (which allow the radiators to be piped six ways) make Steamview easy to specify and install.

Durability: The Steamview's all-welded steel construction ensures a long service life. Proprietary internal construction guards against steam corrosion. All Steamview Radiators have a five-year limited warranty.

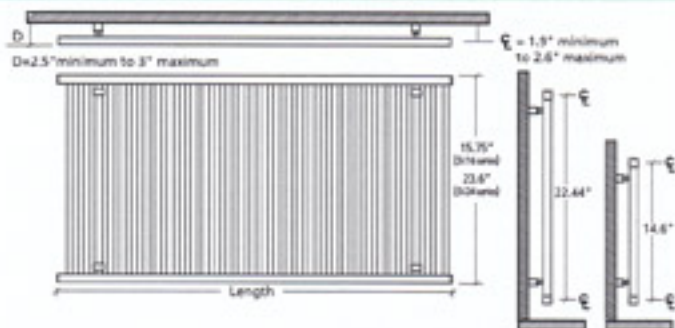


STEAMVIEW CAPACITIES

Nominal Length	24"	36"	48"	60"	72"
BTU / H OUTPUTS					
16" HEIGHT	2,564	3,763	5,104	6,306	7,646
24" HEIGHT	3,553	5,225	7,106	8,778	10,659

STEAM RADIATOR INSTALLATION TIPS

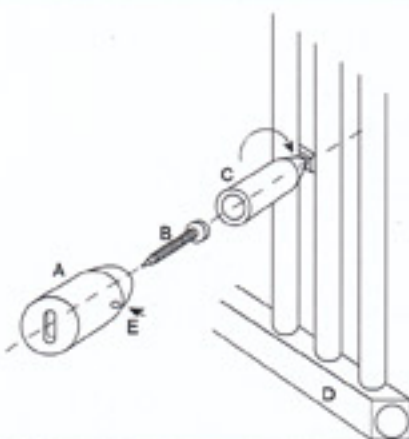
ROUGHING-IN



16" MODEL	SV16-24	SV16-36	SV16-48	SV16-60	SV16-72
Nominal Length	24"	36"	48"	60"	72"
LENGTH (IN.)	23.34"	34.68"	47.44"	58.78"	71.53"
WEIGHT (LBS)	10 lbs	15 lbs	22 lbs	27 lbs	33 lbs

24" MODEL	SV24-24	SV24-36	SV24-48	SV24-60	SV24-72
Nominal Length	24"	36"	48"	60"	72"
LENGTH (IN.)	23.34"	34.68"	47.44"	58.78"	71.53"
WEIGHT (LBS)	14 lbs	21 lbs	30 lbs	37 lbs	46 lbs

MOUNTING

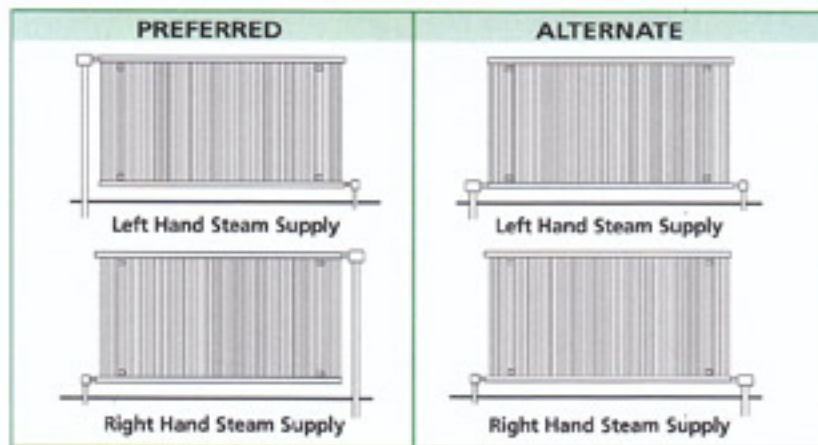


Mounting Tips:

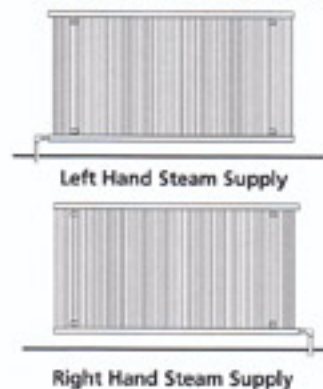
1. Lay out the desired position of the radiator on the wall. Determine the locations of solid wall members (wall studs, bracing, etc.). Mark the positions for the mounting brackets, noting that each bracket should fit in the center of the space between adjacent radiator tubes. **Note: All of the brackets supplied with the radiator should be used, half as top supports and half as bottom supports.**
2. Attach all of the bracket sleeves (A) to solid wall members, using the appropriate mounting fastener (B) (by others).
3. Position mounting bracket cylinders (C) between adjacent radiator (D) tubes, so that the cylinders (C) will line up with the bracket sleeves (A), mounted on the wall.
4. Rotate cylinder (C) to tighten and clamp the cylinder's end piece between the radiator's tubes.
5. Slide the cylinders (C) into the mounting sleeves (A), making final adjustments by loosening cylinder (C), sliding it into final alignment, and re-tightening it. Secure cylinder (C) to sleeve (A) by tightening up allen head screw (E). **Note: The radiator should tilt towards the condensate return at a rate of 1/16" per foot of radiator length.**

PIPING

2-PIPE STEAM SYSTEM



1-PIPE STEAM SYSTEM



GENERAL INSTALLATION TIPS

2- Pipe Steam System

1. A 1" NPT tapping is included on each corner of the radiator. Two 1" plugs are provided to plug the two unused radiator tapings. Use a 5/8" allen wrench to tighten these plugs. A third plug with a 1/8" vent tapping is also included. Pipe dope should be applied to the plugs.
2. The installer should supply and install the proper size reducing bushing for the steam trap to be used.
3. The mounting brackets must be secured to a load-bearing wall member (like a wall stud or solid backing) capable of handling the radiator's weight.
4. The radiator should be tilted a minimum of 1/16" per foot toward the condensate return.

1- Pipe Steam System

1. A 1" NPT tapping is included on each corner of the radiator. Two 1" plugs are provided to plug the two unused radiator tapings. Use a 5/8" allen wrench to tighten these plugs. A third plug with a 1/8" vent tapping is also included. Pipe dope should be applied to the plugs.
2. The installer should supply and install the proper one pipe steam air vent or control valve in the 1/8" vent tapping.
3. The mounting brackets must be secured to a load-bearing wall member (like a wall stud or solid backing) capable of handling the radiator's weight.
4. The radiator should be tilted a minimum of 1/16" per foot toward the condensate return.